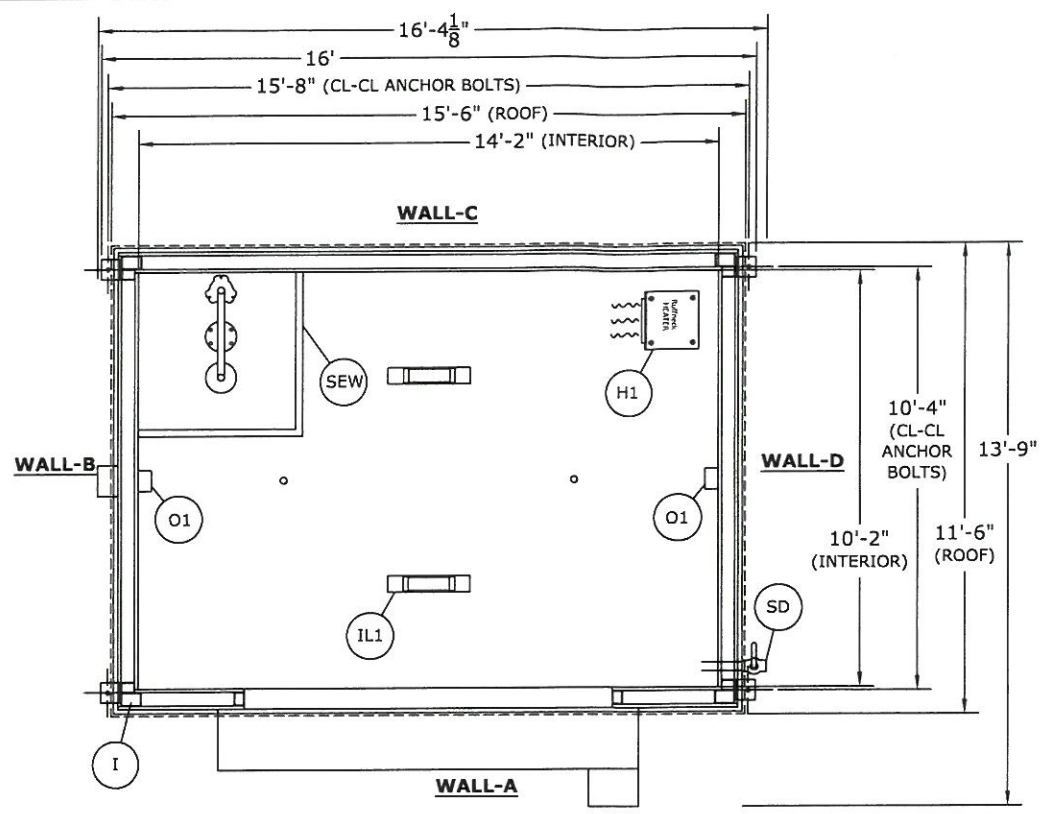


- LEGEND**
- DOT- DEPARTMENT OF TRANSPORTATION FLIP CHART PLACARD (1)
 - NF- NATIONAL FIRE PROTECTION ASSOCIATION 704 SIGN (1)
 - HDA- HOLD DOWN ANGLE (4)
 - FP- FORKLIFT POCKETS
 - SGC- STATIC GROUND CONNECTOR
 - S- SUMP (1,513 GAL CAPACITY)
 - SD- SUMP DRAIN w/ BALL VALVE (1)
 - BC- BUILDING COLOR: BLEACHED BONE U.N.O.
 - NV- NATURAL VENTILATION WITH RAIN LOUVRE & 3 HR FIRE DAMPER (2)
 - RD- 9'W x 7'H ROLL-UP DOOR, FIRE RATED, INSULATED (1)
 - I- INSULATION: WALLS- (R12) "MINERAL WOOL" IN CAVITY
CEILING- (R13) "BATT" IN CAVITY
FLOOR- (R8.4) "MINERAL FIBER BOARD" IN CAVITY
 - LC1- LOAD CENTER 240V/1Ø NEMA 3R (GENERAL PURPOSE)(1)
 - IL1- INTERIOR 2' "LED" LIGHT (GENERAL PURPOSE)(2)
 - SW1- LIGHT SWITCH (GENERAL PURPOSE)(1)
 - FAH1- FAN FORCED HEATER, 7.5 KW (GENERAL PURPOSE)(1)
 - SEW- SHOWER/EYEWASH STATION (1)
 - SPS- 2 NOZZLE WATER SPRINKLER SYSTEM
 - O1- RECEPTACLE 120V 1Ø 20A (GENERAL PURPOSE)(2)
 - PTW- 2" PORT THROUGH WALL, STAINLESS STEEL (CUSTOMER TO LOCATE) (2)



SUPPLY VOLTAGE
120/240V/1Ø/60hz
60A MCB

ESTIMATED SHIPPING DIMENSIONS:
LENGTH = 16'-6"
DEPTH = 13'-11"
HEIGHT = 10'-9"

REVISIONS				
CHANGES BY	REV	DESCRIPTION	DATE	APPROVED

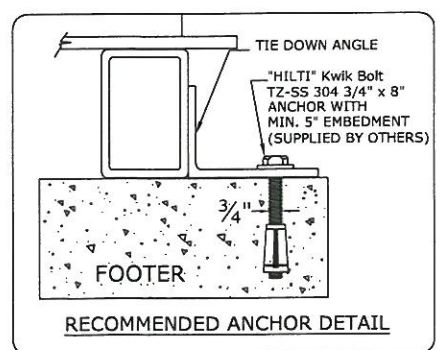
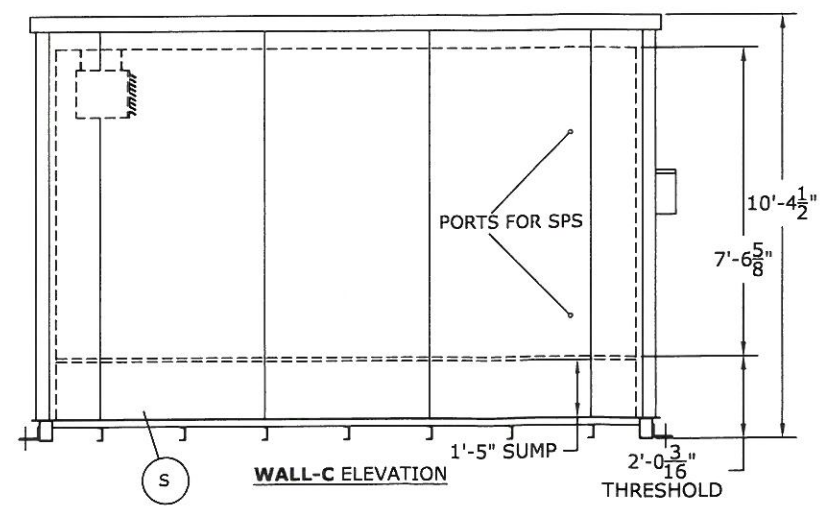
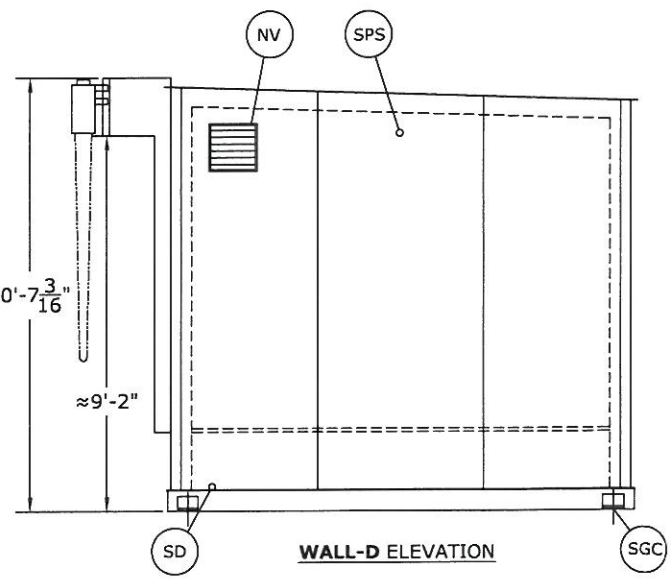
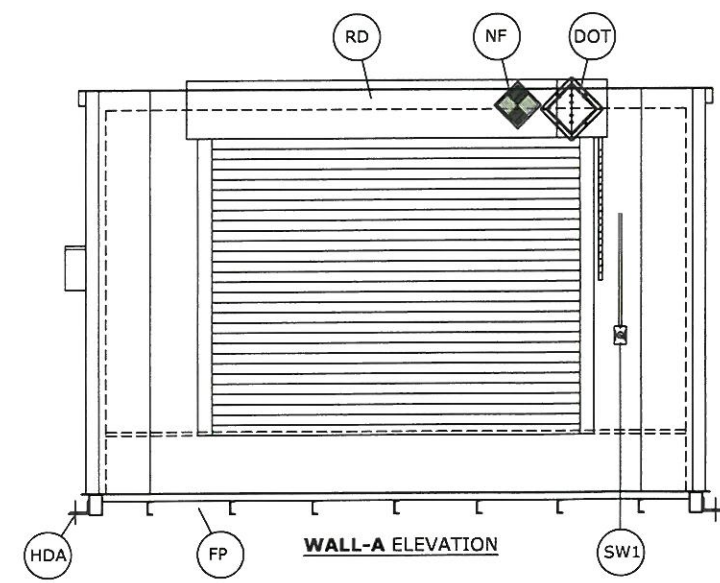
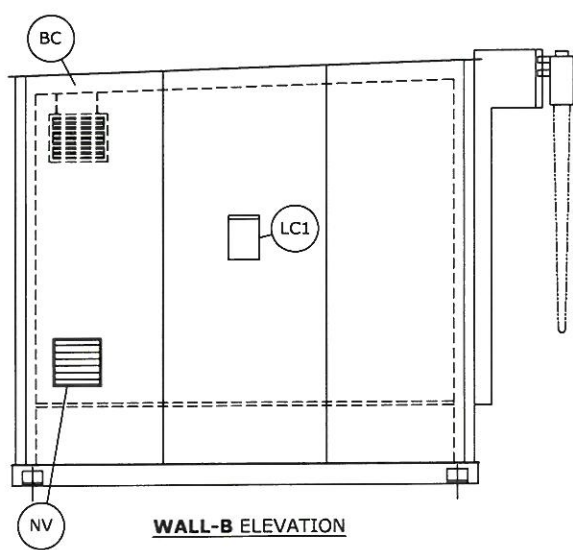
GENERAL NOTES:
1- ALL MATERIAL AND WORKMANSHIP SHALL CONFORM WITH THE REQUIREMENTS OF THE LATEST REVISION OF THE UBC, IBC AND STATE BUILDING CODES. DESIGN ACCORDING TO AISC, ASD, AND WITH ANSI/ ASCE 7.
2- NO LOADS OTHER THAN THOSE GIVEN UNDER "DESIGN DATA" BELOW SHALL BE IMPOSED ON THE "STRUCTURE."
DESIGN DATA (MATERIALS)
STRUCTURAL QUALITY ASTM SPECIFICATION, A36 ER70S WELDING WIRE.
DESIGN DATA IN ACCORDANCE WITH ANSI/ ASCE 7:10

MINIMUM ROOF LIVE LOAD (PSF) = 40
Pg: GROUND SNOW LOAD (PSF) = 50
V : WIND VELOCITY (MPH) = 120
SEISMIC DESIGN CATEGORY : C

FINAL FOUNDATION DESIGN TO BE SUPPLIED BY OTHERS

ALL DIMENSIONS SHOWN ON THIS PRINT ARE FOR YOUR REFERENCE. TOLERANCES ARE ±1" UNLESS OTHERWISE NOTED.

DATE: 03/28/2022
DRAWN BY: ABR



- GENERAL NOTES:**
- 1) WALL CONSTRUCTION: 2HR BI-DIRECTIONAL PER USCS TEST WP-2420 @ NGC TESTING
 - 2) ROOF CONSTRUCTION: 1HR PER IBC SECTION 722
 - 3) BUILDING WEIGHT: 15,403 lb

MOTT MACDONALD

MODEL NO. FL1511
SF QUOTE NO. Q11344
GS QUOTE NO. -
ORDER NO. -

QUOTE DRAWING
FOR REFERENCE ONLY

LEGAL NOTE
THIS DRAWING IS THE PROPERTY OF U.S. CHEMICAL STORAGE, LLC. ANY DUPLICATION OF THIS DRAWING IN WHOLE OR IN PART IS STRICTLY FORBIDDEN. ANYONE DOING SO WILL BE PROSECUTED UNDER THE FULL EXTENT OF THE LAW.

THIS ORDER IS SUBJECT TO U.S. CHEMICAL STORAGE LLC'S TERMS AND CONDITIONS WHICH ARE LOCATED AT <https://www.uschemicalstorage.com/all-about-chemical-storage-expert-info/literature/>

THIS SIGNED GENERAL ARRANGEMENT DRAWING AND U.S. CHEMICAL STORAGE LLC TERMS AND CONDITIONS SUPERSEDES ALL OTHER DOCUMENTATION FOR THE NOTED PROJECT.

CUSTOMER IS RESPONSIBLE FOR REVIEWING DESIGN WITH THEIR LOCAL CODE AUTHORITIES TO ENSURE DESIGN AND INCLUDED COMPONENTS ARE ACCEPTABLE.

REVIEW, APPROVALS, STAMPED PLANS/CALCULATIONS & FACTORY INSPECTIONS BY REGISTERED DESIGN PROFESSIONALS, THIRD PARTY AGENCIES, OR STATE/LOCAL CODE ENFORCEMENT AGENCIES ARE NOT INCLUDED UNLESS NOTED ON THIS GENERAL ARRANGEMENT DRAWING.

U.S. CHEMICAL storage® Justrite Safety Group

uschemicalstorage.com 1-800-233-1480

MANUFACTURING FACILITY
1806 River Street, Hwy. 268 W.
Wilkesboro, NC 28697